

M60NE286

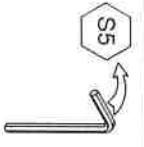
1 / 4

Assembling scheme

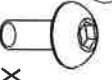
Required tools: DIN911

Hardware: M6 x 30

M6 x 16



1



x16

2



x16

3



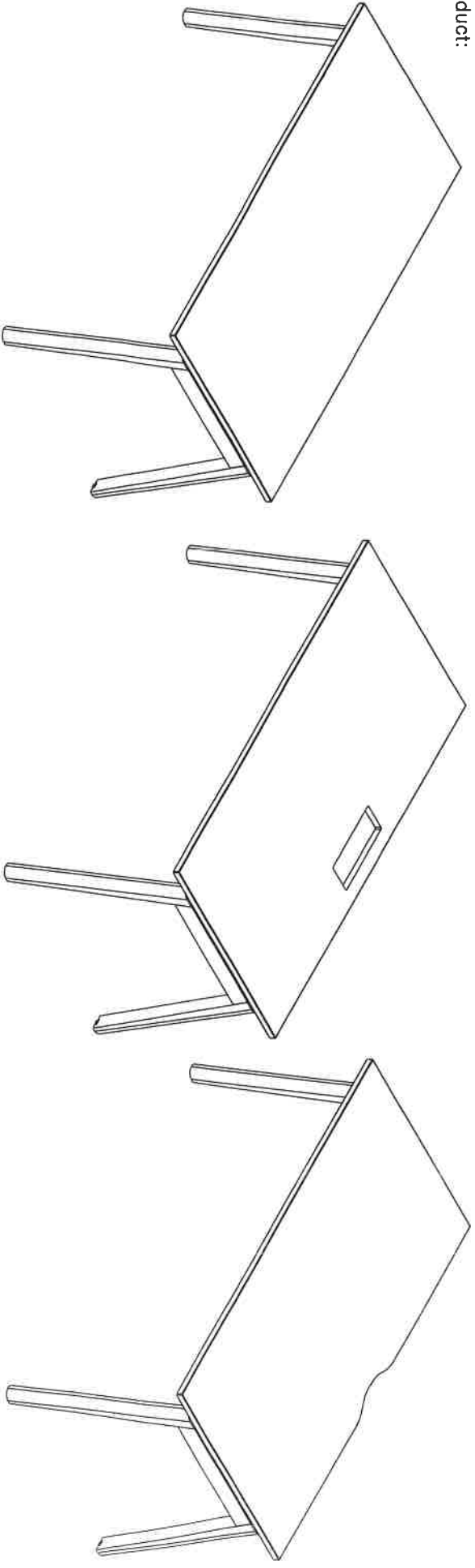
x2

4

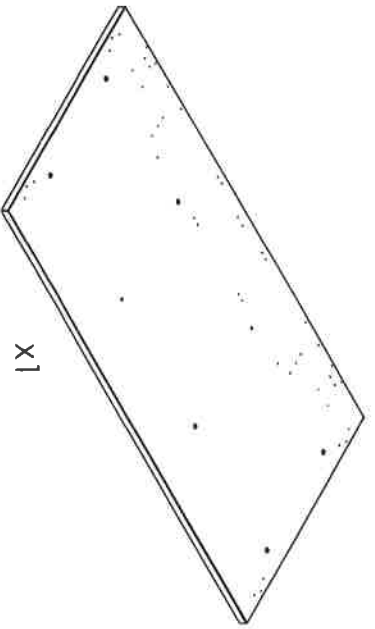


x6

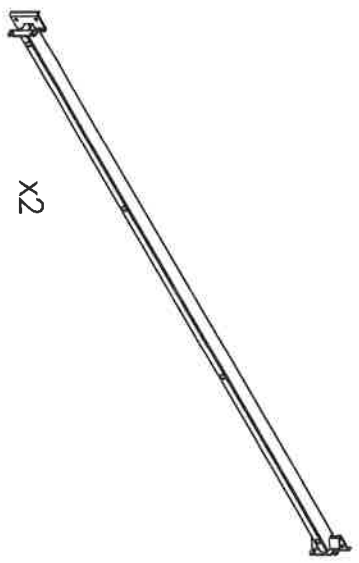
Product:



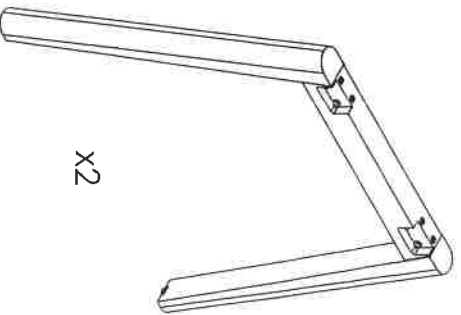
Parts:



x1

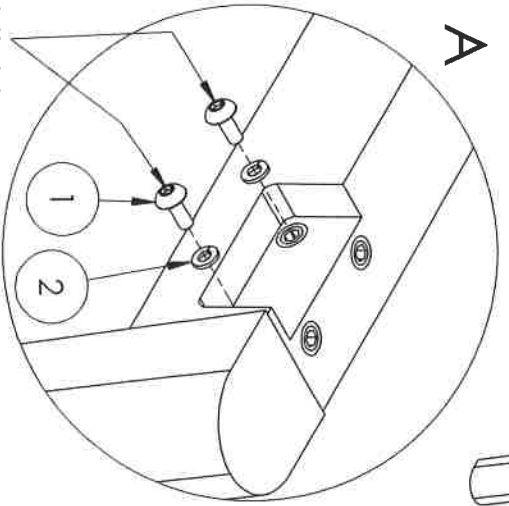
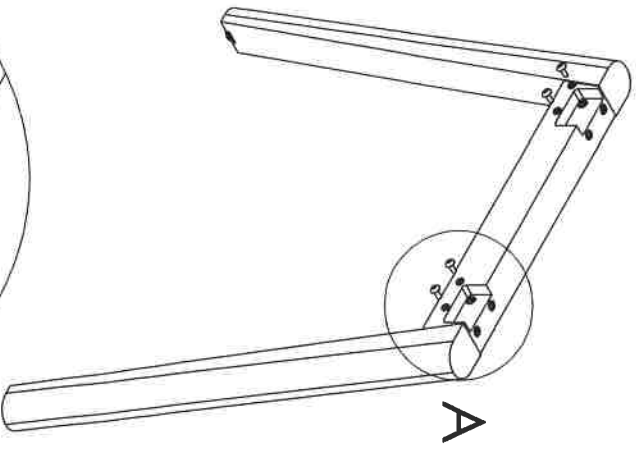


x2



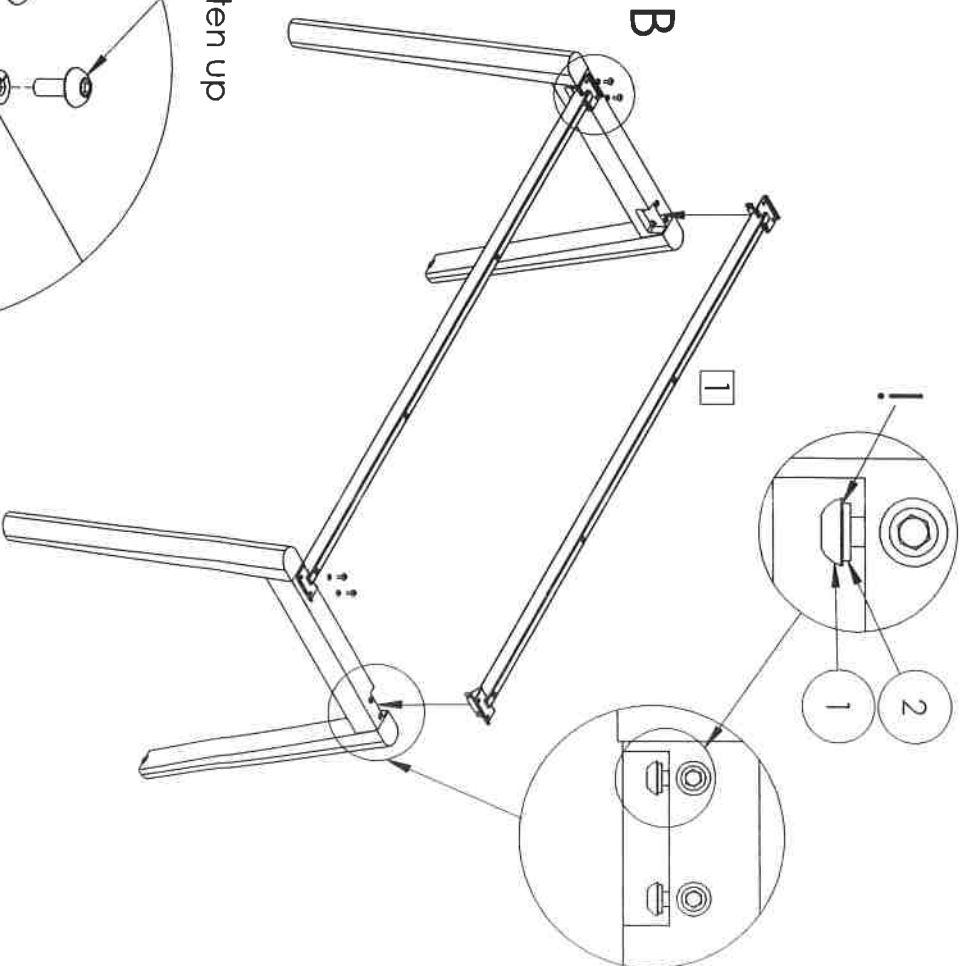
x2

1

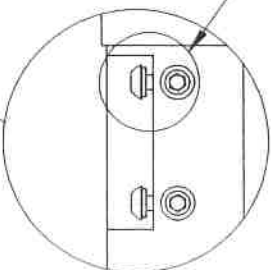
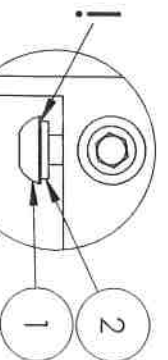
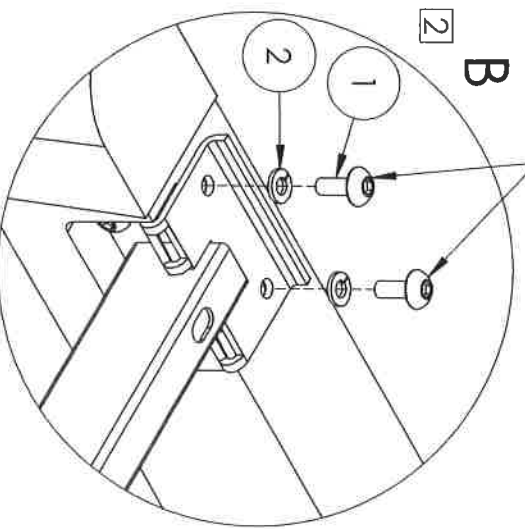


Do not tighten up

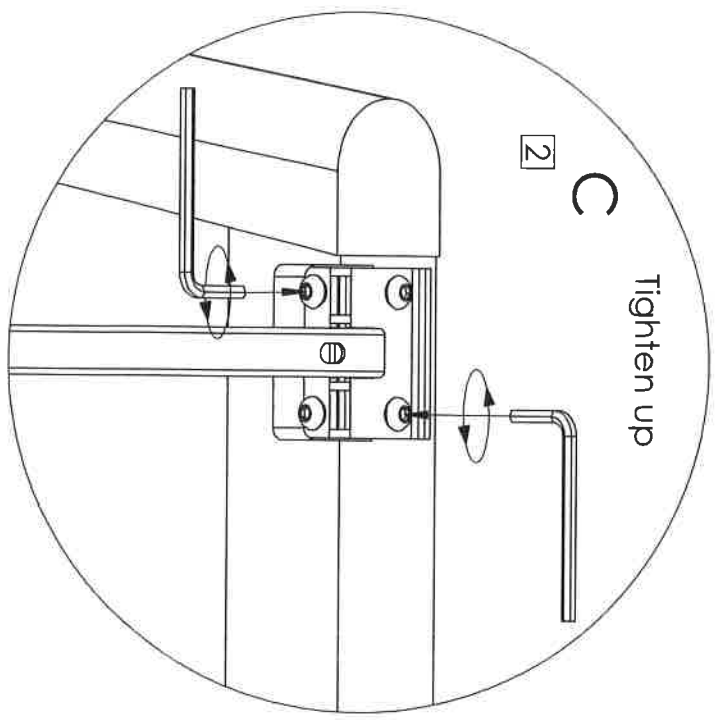
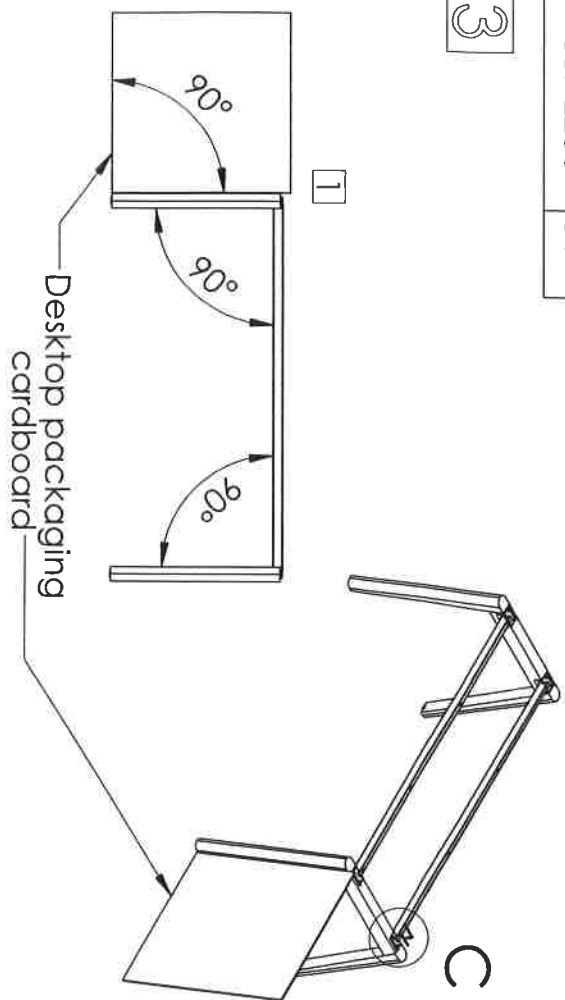
2



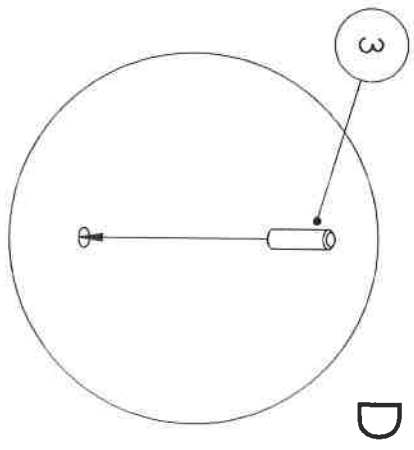
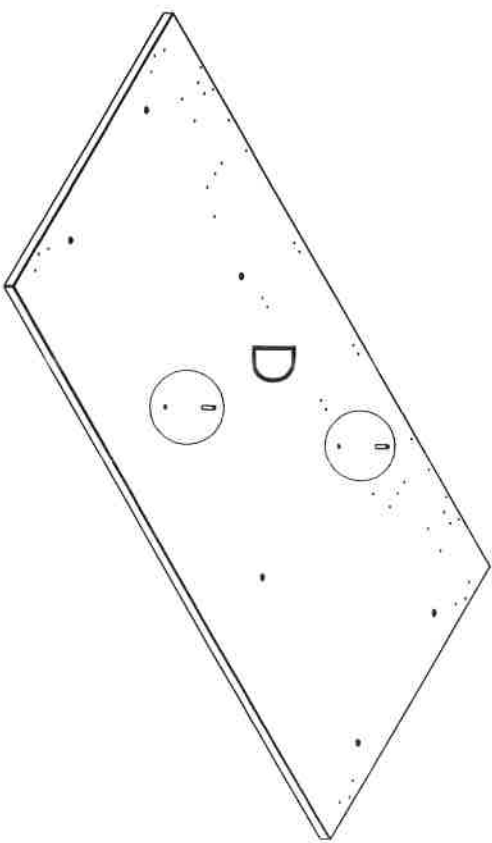
Do not tighten up



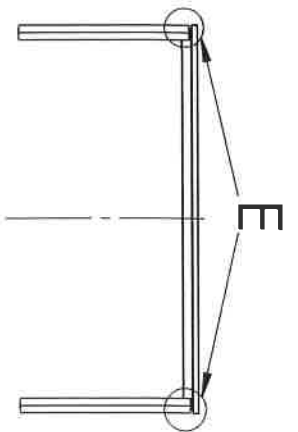
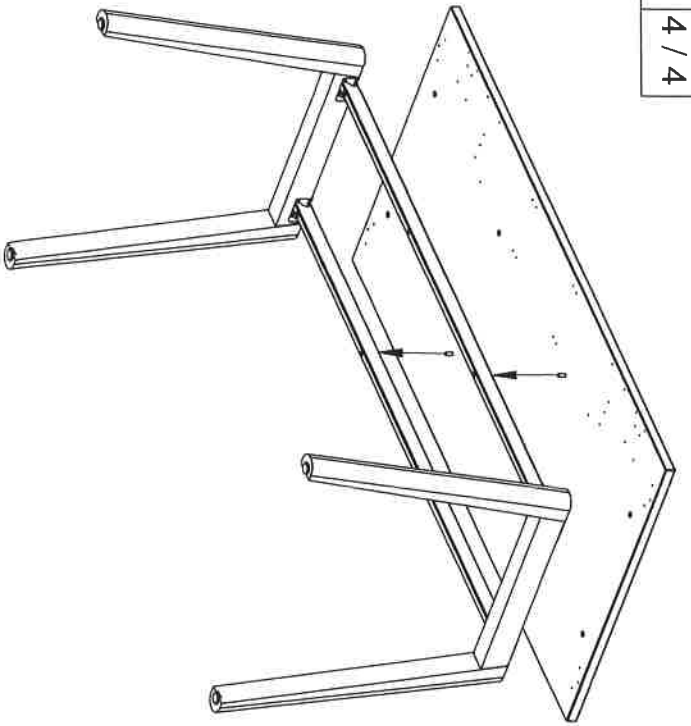
3



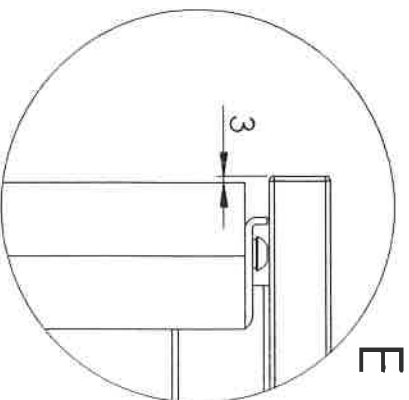
4



5



Center desktop



6

