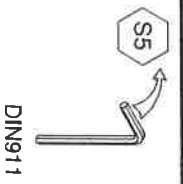


M6OEN287

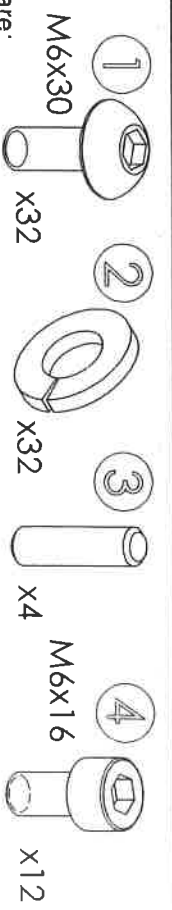
1 / 4

Assembling scheme

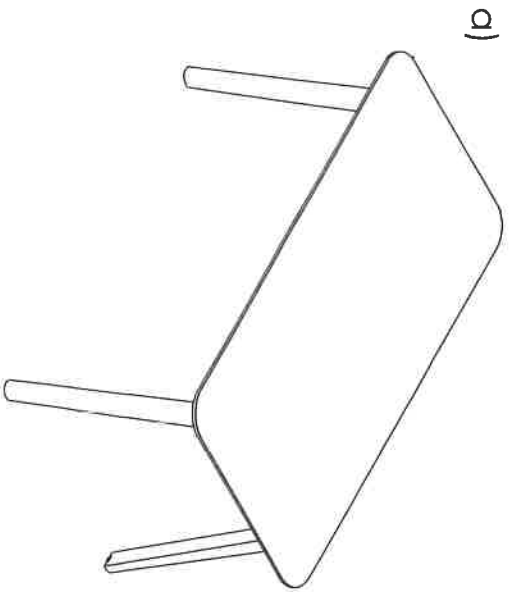
Required tools:



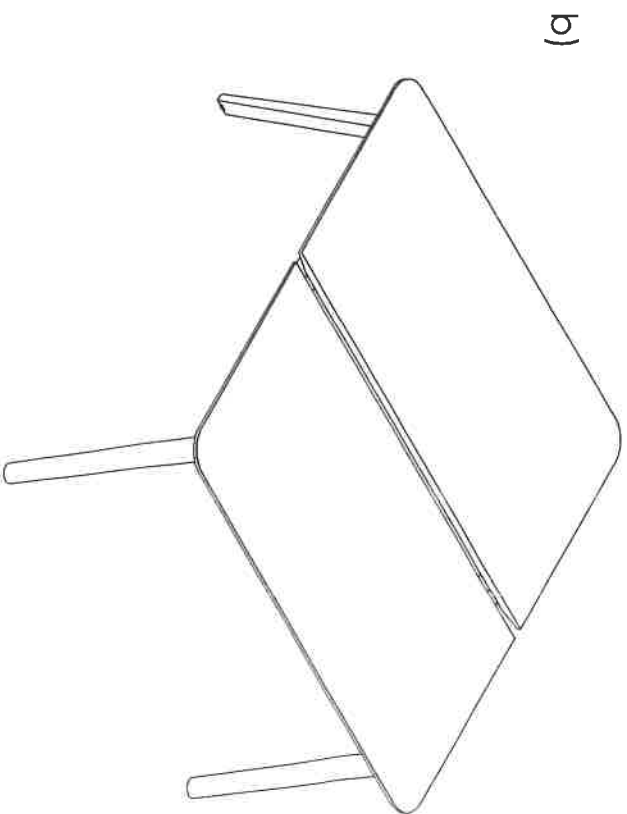
Hardware:



Product:

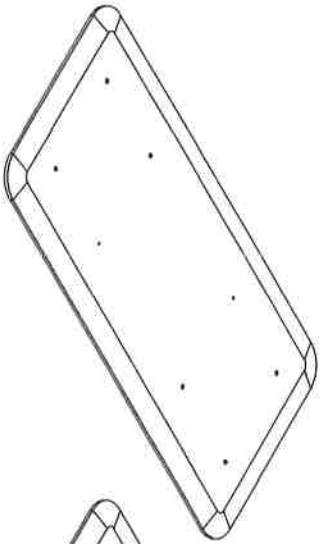


a)

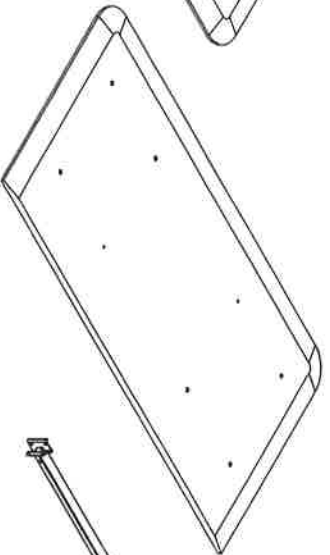


b)

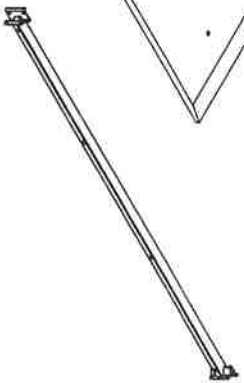
Parts:



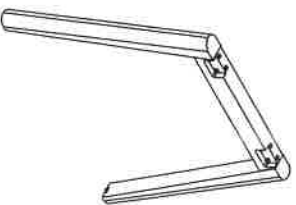
a)x1



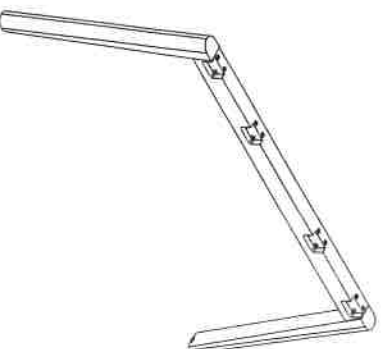
b)x2



a)x2  
b)x4

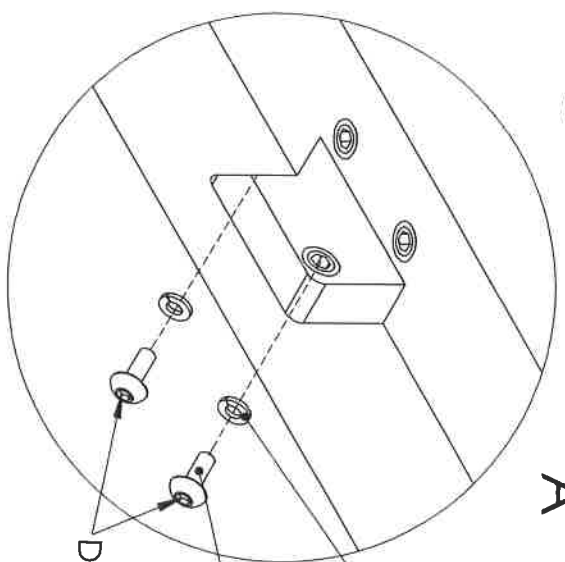
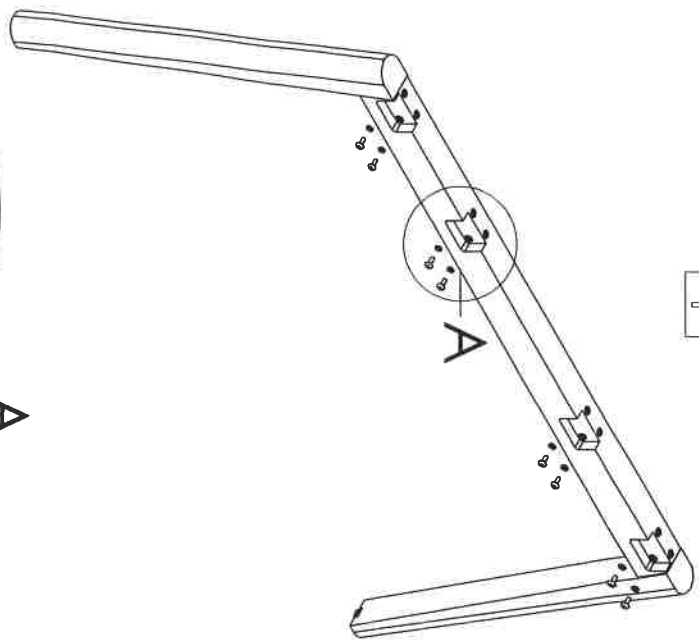


a)x2



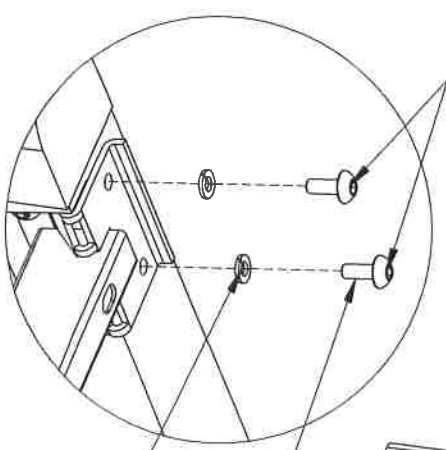
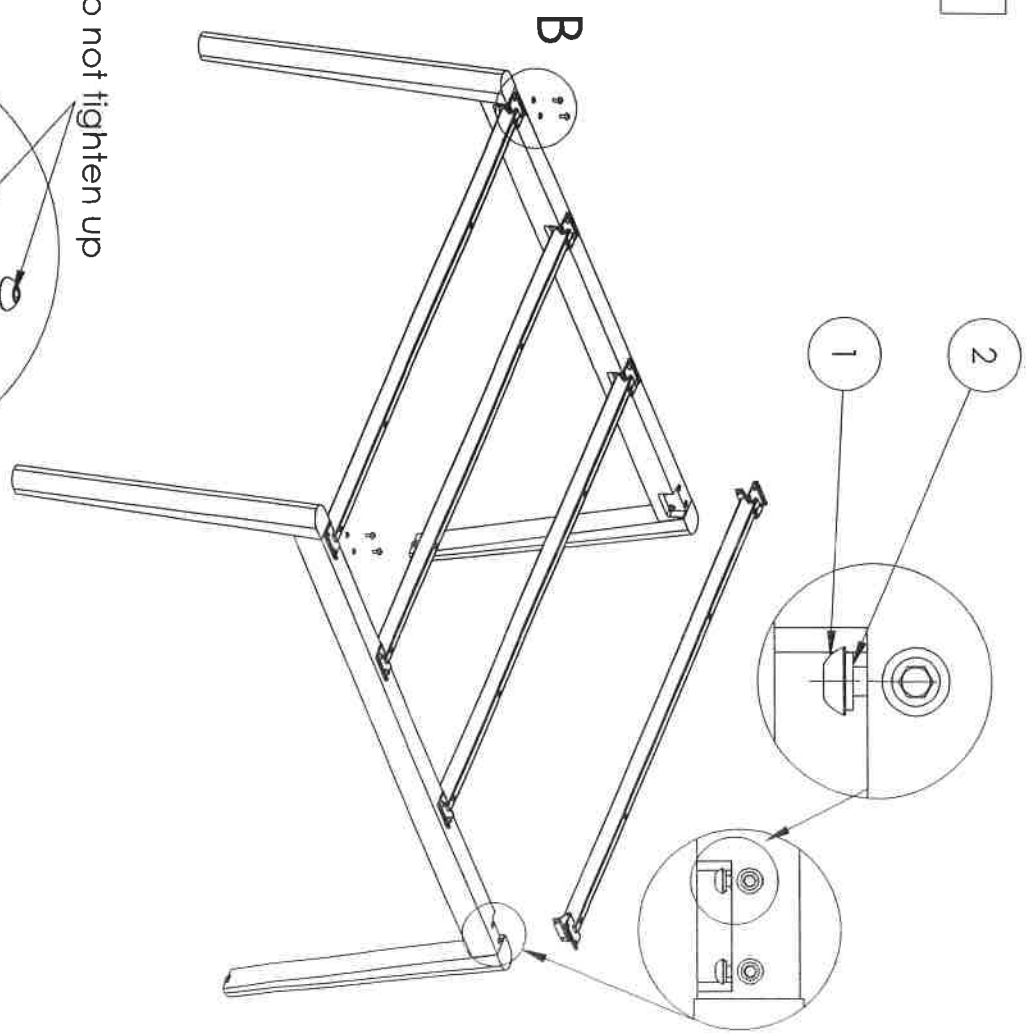
b)x2

1



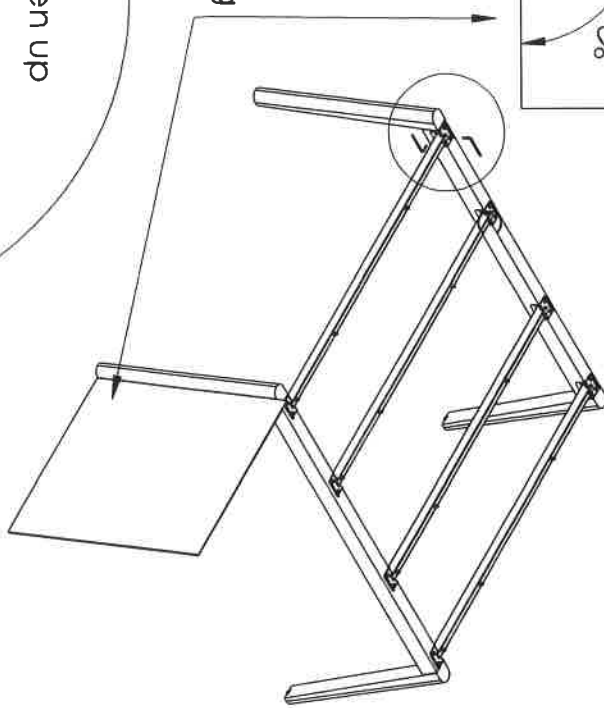
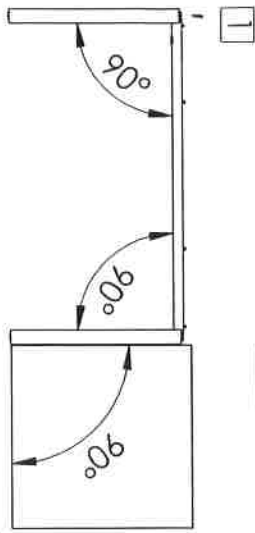
Do not tighten up

2



Do not tighten up

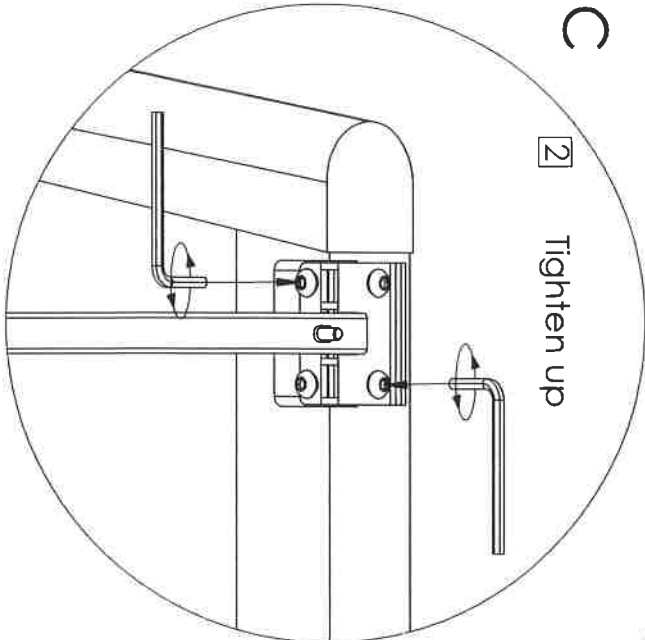
3



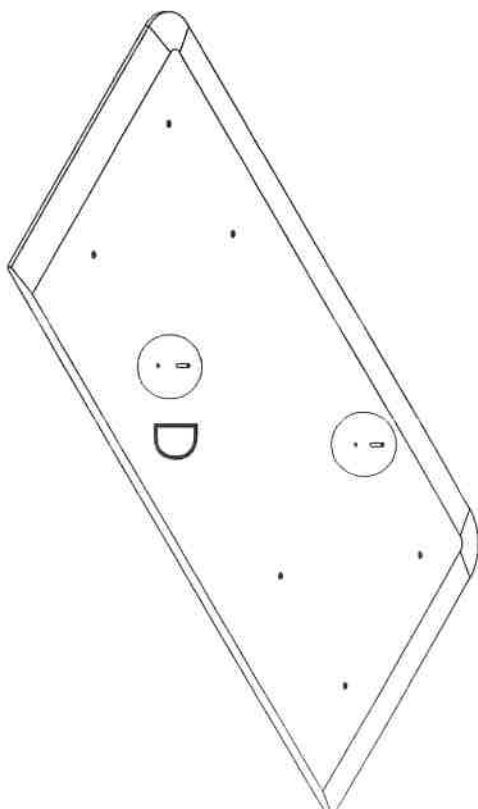
C

2

Tighten up

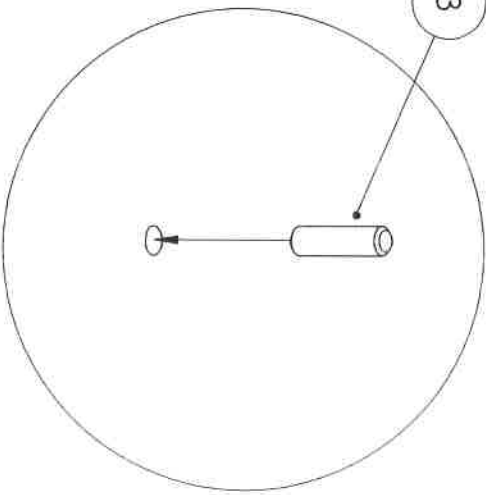


4

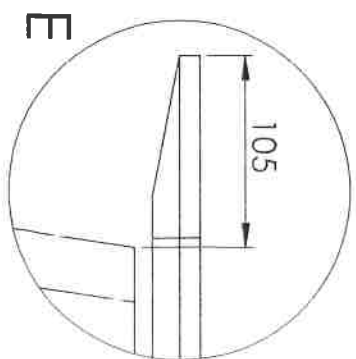
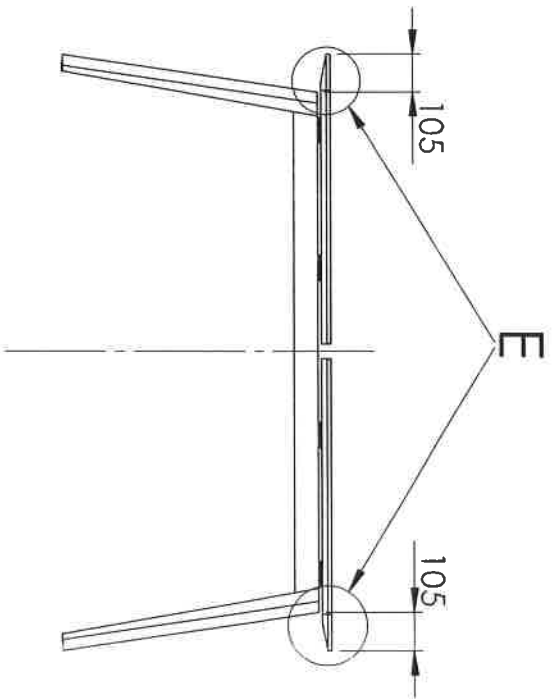
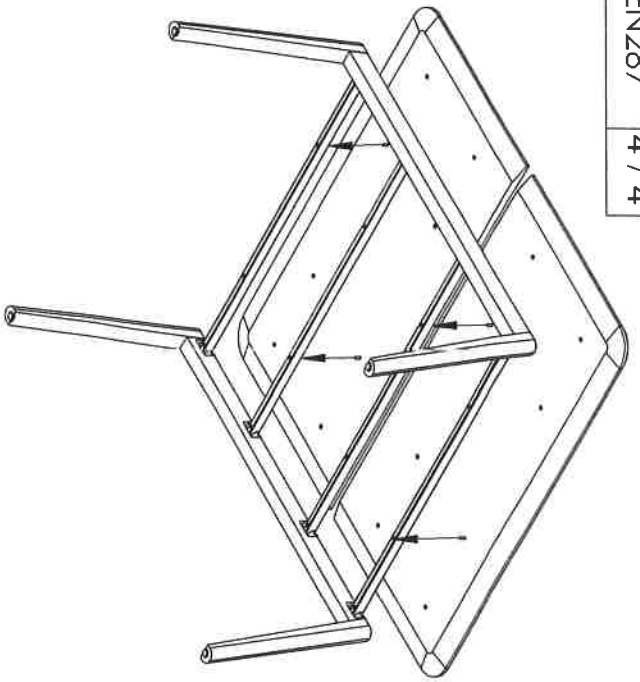


3

D

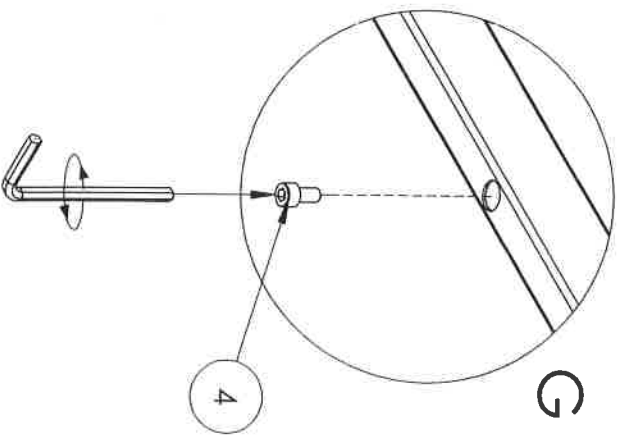
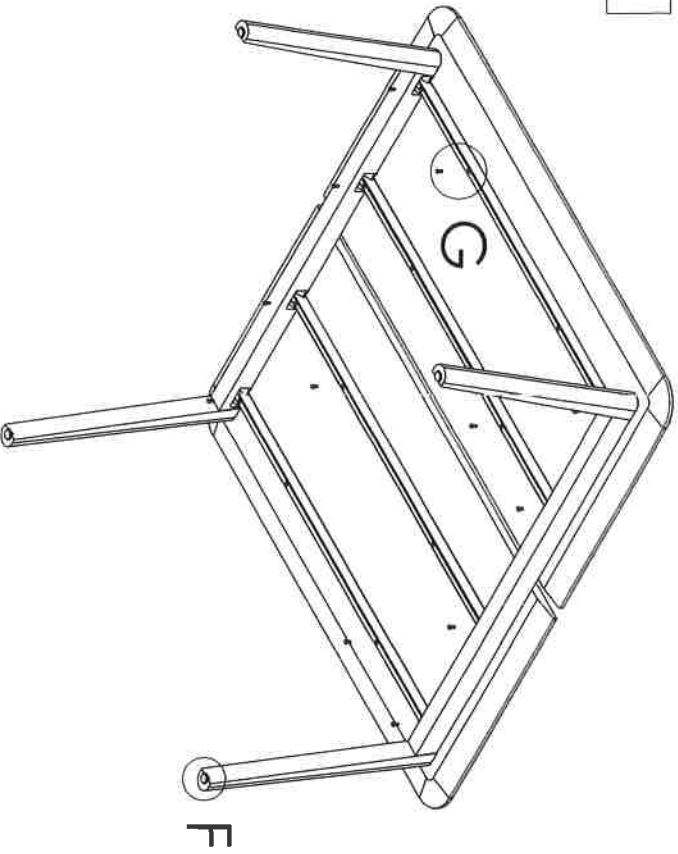


5



Center the tabletop

6



Adjust table height

